

Kakadu Fencing Systems

Designed and Manufactured in Australia



OKAB Fencing System

Function: Stock control

Material: High tensile steel, with flex

Coating: GALFAN Coating 5% Aluminium, Rare Metals, 95% Zinc, the ultimate in corrosive resistant coating.

Thickness: 1.8mm thick

Width: 86mm wide

Length: 1.65m, 1.8m, 2.1m, 2.4m, 2.7m

Special Features:

- 7 square spine holes for the **OKBC** clip (to make sure that it does not twist)
- Barbed wire can be easily loaded up - quick twist of the barb
- Barbed wire can easily be tightened at the end assemblies as the barb wire flows through the **OKBC** clip.
- Rouge Buffalo Clips are also available
- **Designed and manufactured in Australia**



Ocloc Kakadu Barb Wire Clip **OKBC**



Ocloc Kakadu Rogue Buffalo Clip **RBC**

Ocloc products are carbon neutral — 100% carbon offset — Australian designed and made

Brian O'Malley | Email: brian@ocloc.com.au | Phone: 0424 112 120
Nigel Catt | Email: nigel@ocloc.com.au | Phone: 0418 832 967

www.ocloc.com.au



Kakadu Fencing Systems

Designed and Manufactured in Australia

Ocloc Kakadu AB fence post 150mm wire hole spacings

Function: Stock control

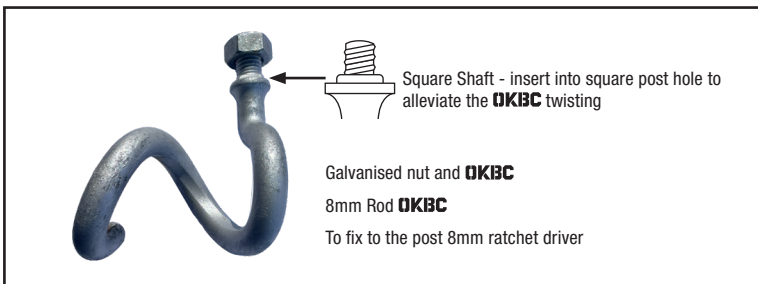
Material: High tensile steel, with flex

Coating: GALFAN Coating 5% Aluminium, Rare Metals, 95% Zinc, the ultimate in corrosive resistant coating www.galfan.com

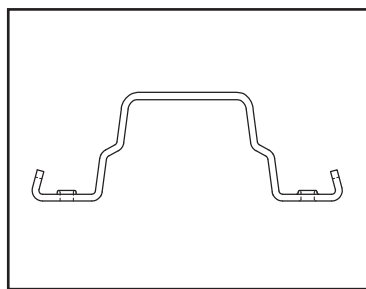
Thickness: 1.8mm thick

Width: 86mm wide

Length: 1.65m, 1.8m, 2.1m, 2.4m, 2.7m



The **OKBC** and the **RBC** can be ratchet driven onto the post



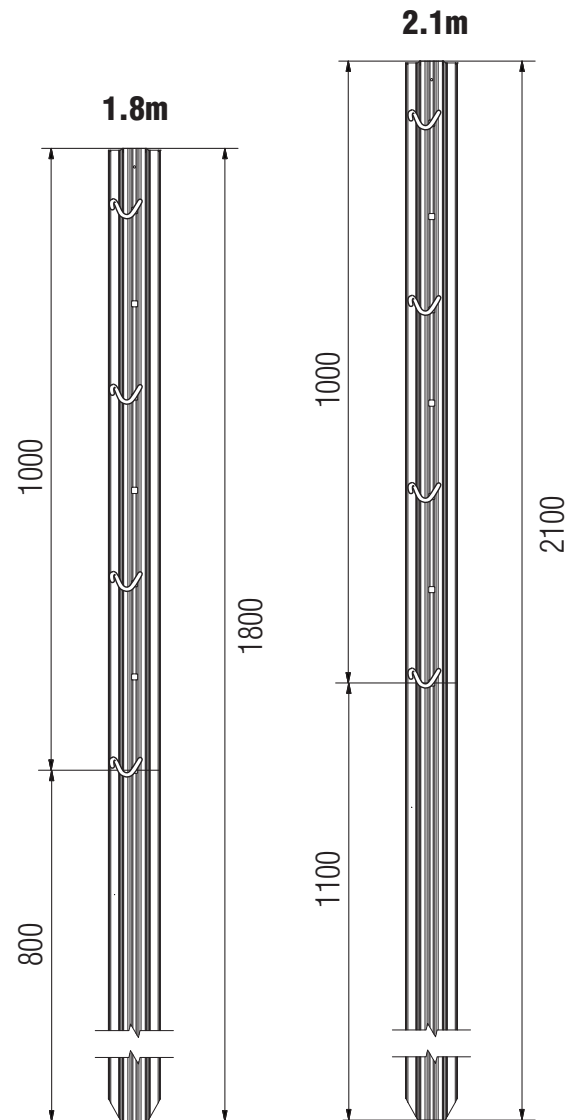
Ocloc Kakadu **OKAB** profile



Rogue Buffalo Clip **RBC**
before buffalo goes through the fence



Rogue Buffalo Clip **RBC**
after buffalo goes through the fence
barb wire is easily reinstalled



Lengths of OKAB	1.8	2.1
Square holes down the spine	7	7

OKBC is the Ocloc Kakadu barb wire clip

RBC is a Rogue Buffalo Clip

Ocloc products are carbon neutral — 100% carbon offset — Australian designed and made

Brian O'Malley | Email: brian@ocloc.com.au | Phone: 0424 112 120

Nigel Catt | Email: nigel@ocloc.com.au | Phone: 0418 832 967

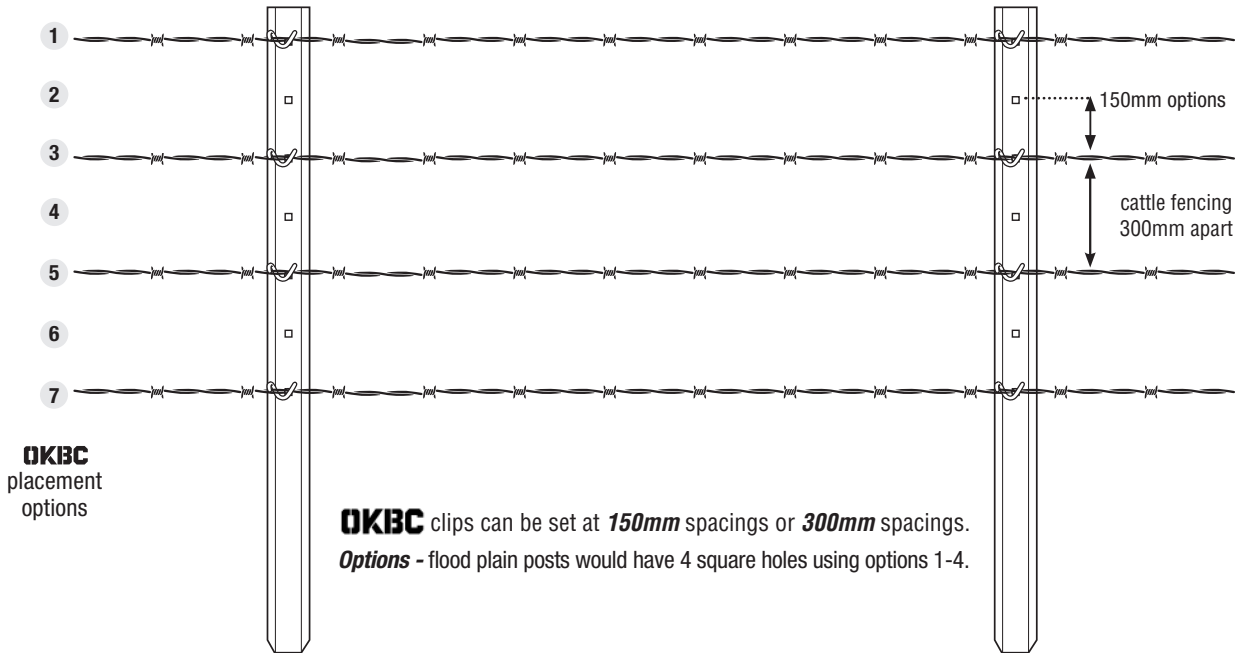


www.ocloc.com.au



Kakadu Fencing Systems

Designed and Manufactured in Australia



Placement of barb wire on post
150mm or **300mm** options



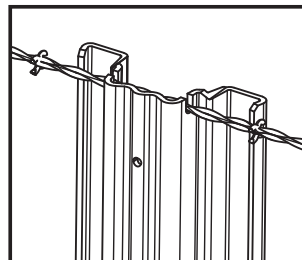
Ocloc Kakadu A barb wire hole



Ocloc Kakadu Barbed Wire Clip
OKBC



Rogue Buffalo Clip **RBC**
 The **RBC** allows buffalo to move through the fence without destroying it.



Barb wire can be twitched to the top of the post if required

Ocloc Kakadu **OKAB**

OKBC allows barb wire to be easily inserted in a twitching motion.

GALFAN for corrosion resistance. More information can be found at: www.galfan.com

Strength: 

Square holes are 150mm apart options. You can set your barb wire at 300mm intervals.

Bundles of **200**
 (special request bundles of 100)

Available in several lengths

1.8m - 6 feet

2.4m - 8 feet

2.1m - 7 feet

Ocloc products are carbon neutral — 100% carbon offset — Australian designed and made

Brian O'Malley | Email: brian@ocloc.com.au | Phone: 0424 112 120

Nigel Catt | Email: nigel@ocloc.com.au | Phone: 0418 832 967

www.ocloc.com.au

