



Vineyard Strainers

Manufactured in Australia



The Ocloc trellis system delivers long term, economical and environmental solutions.

- Strainers are made of **3mm thick G450** High tensile steel
- **GALFAN Coating** 5% Aluminium, Rare Metals, 95% Zinc, the ultimate in corrosive resistant coating
- 2.2m in height
- **Australian designed, made and owned**



Ocloc products are carbon neutral — 100% carbon offset —



For further details please contact

Ocvitti Australia

Nigel Catt 0418 832 967

Visit us at www.ocloc.com.au

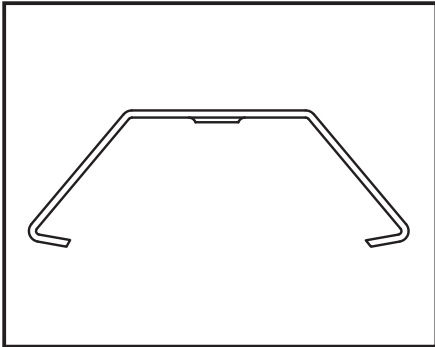
admin@ocloc.com.au

nigel@ocloc.com.au

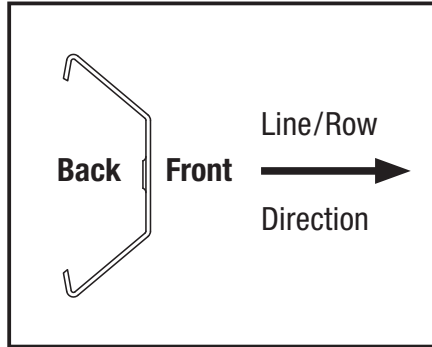


Ocloc™ S

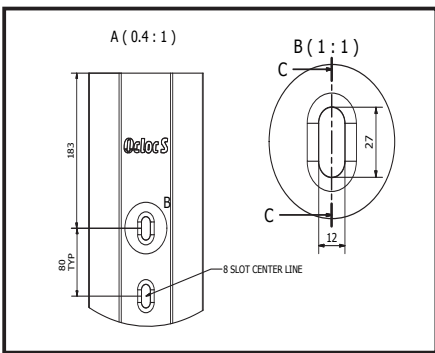
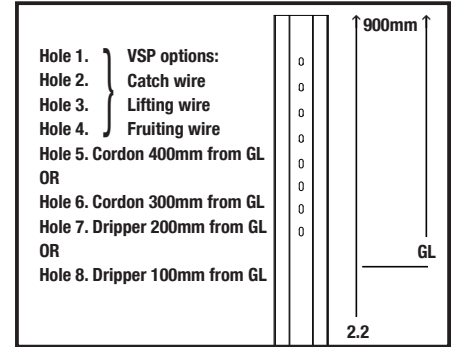
Vineyard Strainers



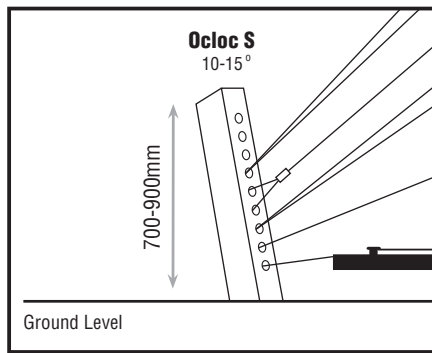
Profile diagram



Ocloc S line/row direction



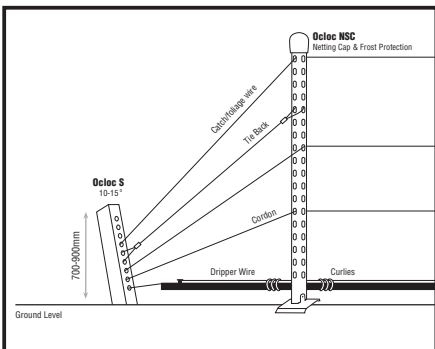
8 total slots at 80mm spacing on centre line



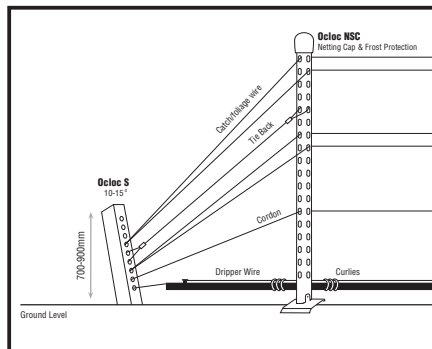
Set Ocloc S at 10-15°



Example of incorrect attachment



TWS Ocloc System



VSP Ocloc System

- Wire Hole Spacings 8 holes 80mm to centre. Hole size 27mm long x 12mm wide.
- Function: End of row strainer/assembly. New developments and strainer replacement.
- Material Specifications: GALFAN G450 high tensile steel 3mm thick.



Ocloc products are carbon neutral — 100% carbon offset —



For further details please contact

Ocvitti Australia
 Nigel Catt 0418 832 967
 Visit us at www.ocloc.com.au

admin@ocloc.com.au
nigel@ocloc.com.au

