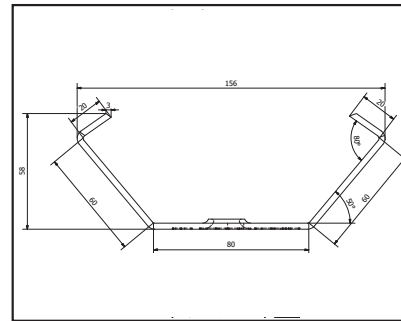
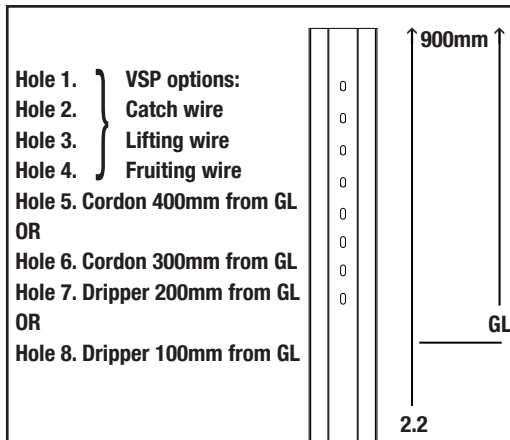


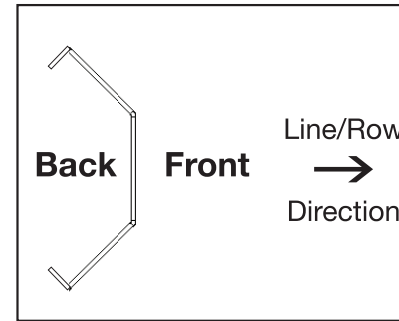
Ocloc S

- Wire Hole Spacings 8 holes 80mm to centre.
Hole size 27mm long x 12mm wide.
- Function: End of row strainer/assembly.
New developments and strainer replacement.
- Material Specifications:
GALFAN G450 high tensile steel 3mm thick.

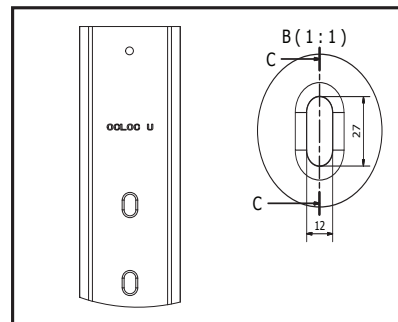
Thickness of materials: 3mm



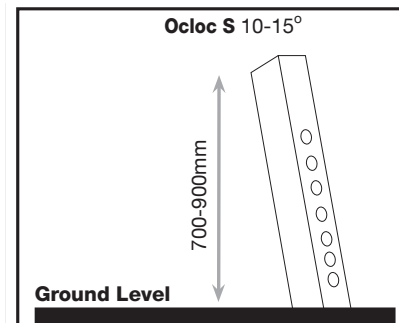
Profile Diagram



Ocloc S Line/Row Direction



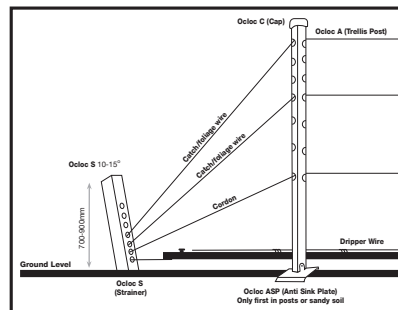
TYP 8 Total slots at 80mm spacing on centre line



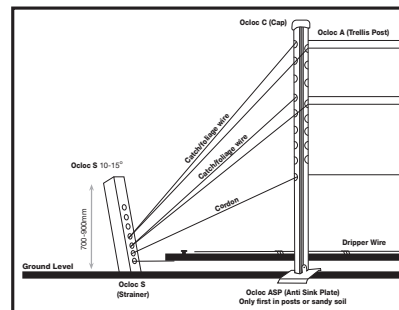
Set Ocloc S at 10-15°



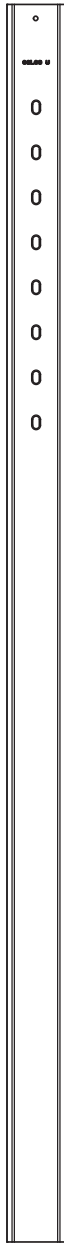
Example of incorrect attachment



TWS Ocloc System



VSP Ocloc System



Length	2.2m	2.4m
Ordering Code	S2.2	S2.4