

Ocloc™ PP

Ocloc PP Predator Perch

The supporting posts

- 2 x Ocloc W's high tensile
- 2.4mm thickness
- galfan coated metal (www.galfan.com)

The perch tube

- 63.5mm circumference
- The wall is 2.4mm thick and galvanised
- the perch platform bolts onto the tube
- Ocloc Predator Perch is supplied with -
 - 1 x Predator Perch platform
 - 2 x knuts and bolts????
 - 3 x batten screws (75mm, driver included)
 - 7 x 90mm M10 galvanised bolts and knuts
 - 1 x 1.2m sacrificial tube

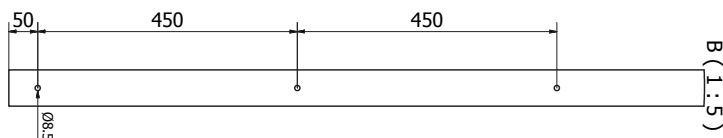
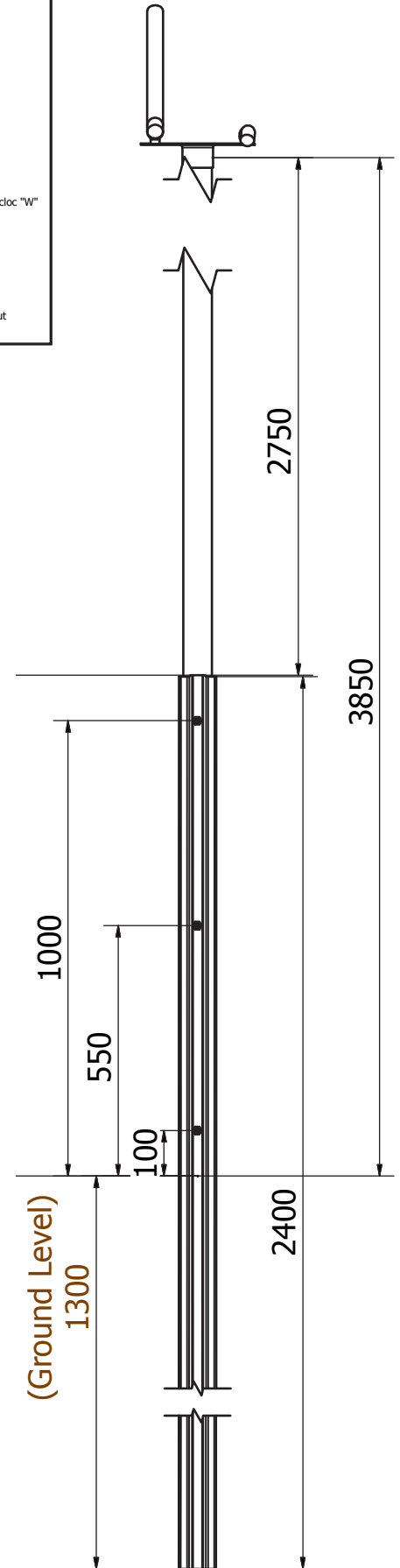
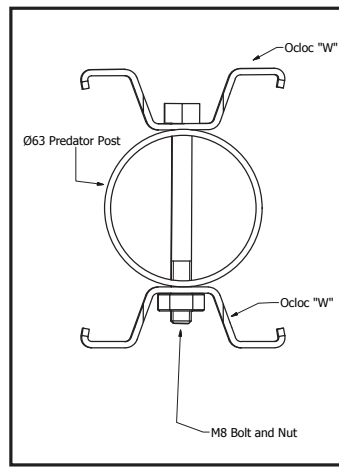
Not supplied -

The wooden branch for the perch.

My suggestion is to use gumtrees as the wood is twisted and make sure it is dry.

Pre drill to alleviate splitting.

The Predator Perch S.O.P is available on the website www.ocloc.com.au



If there is a feature you need to vary on this product, such as depth, insertion, or hole quantities, please send us your drawings.

Ocloc products are carbon neutral —100% carbon offset— Australian designed and made

Nigel Catt | Email: nigel@ocloc.com.au | Phone: 0418 832 967

www.ocloc.com.au

