

## Kakadu Fencing Systems

Designed and Manufactured in Australia



### OKA Post / Picket

**Function:** Live stock, exclusion and conservation. Barb wire fencing, lane ways and boundaries.

**Material:** High tensile steel, with flex and return for wildlife or stock impact

**Coating:** GALFAN Coating 5% Aluminium, Rare Metals, 95% Zinc, the ultimate in corrosive resistant coating

**Thickness:** 1.8mm thick

**Width:** 86mm wide post/picket

**Length:** 1.65m, 1.8m, 2.1m, 2.4m, 2.7m

**Wire Holes:** Available in 75mm wire hole spacings, suitable for multiple mesh spacing

**Special Features:**

- Easy to load wire slots for twitching - 300mm x 2.5mm thick
- Internal wire slots are rounded to reduce wire wear
- The profile enhances strength and rigidity in the ground
- **Designed and manufactured in Australia**



*Ocloc products are carbon neutral — 100% carbon offset — Australian designed and made*

Brian O'Malley | Email: [brian@ocloc.com.au](mailto:brian@ocloc.com.au) | Phone: 0424 112 120  
Nigel Catt | Email: [nigel@ocloc.com.au](mailto:nigel@ocloc.com.au) | Phone: 0418 832 967



[www.ocloc.com.au](http://www.ocloc.com.au)



## Kakadu Fencing Systems

Designed and Manufactured in Australia

### Ocloc Kakadu OKA fence post/picketet - 75mm wire hole spacings

**Function:** Stock control

**Material:** High tensile steel, with flex

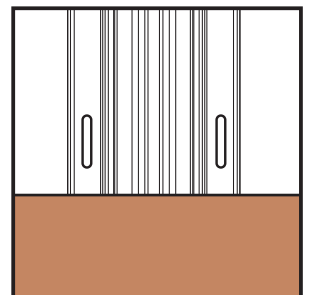
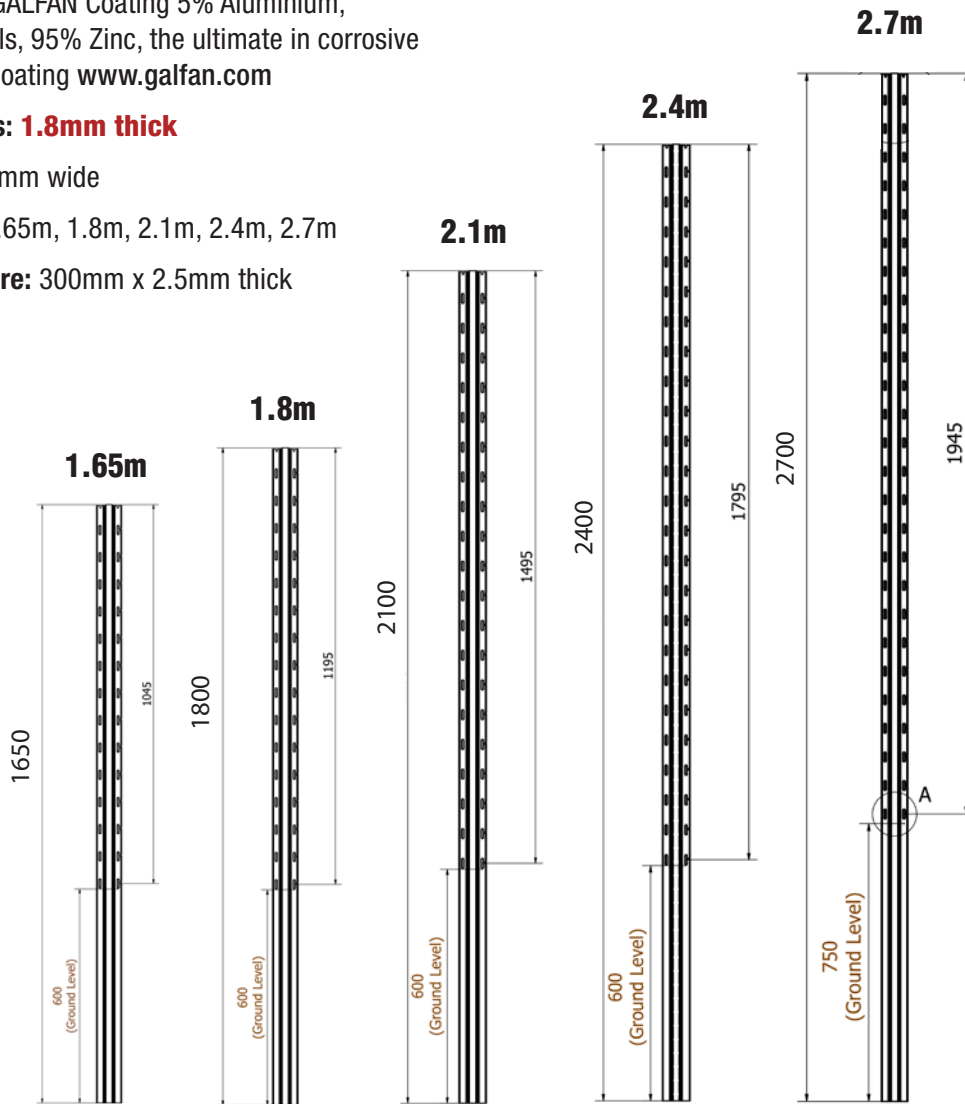
**Coating:** GALFAN Coating 5% Aluminium, Rare Metals, 95% Zinc, the ultimate in corrosive resistant coating [www.galfan.com](http://www.galfan.com)

**Thickness:** 1.8mm thick

**Width:** 86mm wide

**Length:** 1.65m, 1.8m, 2.1m, 2.4m, 2.7m

**Twitch Wire:** 300mm x 2.5mm thick



Ground level view bottom wire hole

Lengths of OKA	1.65	1.8	2.1	2.4	2.7
Wire hole numbers at spacings 75mm	14	16	20	24	26

If there is a feature you need to vary on this product, such as depth, insertion or hole quantities, please send us your drawings.

Ocloc products are carbon neutral — 100% carbon offset — Australian designed and made

Brian O'Malley | Email: [brian@ocloc.com.au](mailto:brian@ocloc.com.au) | Phone: 0424 112 120  
Nigel Catt | Email: [nigel@ocloc.com.au](mailto:nigel@ocloc.com.au) | Phone: 0418 832 967



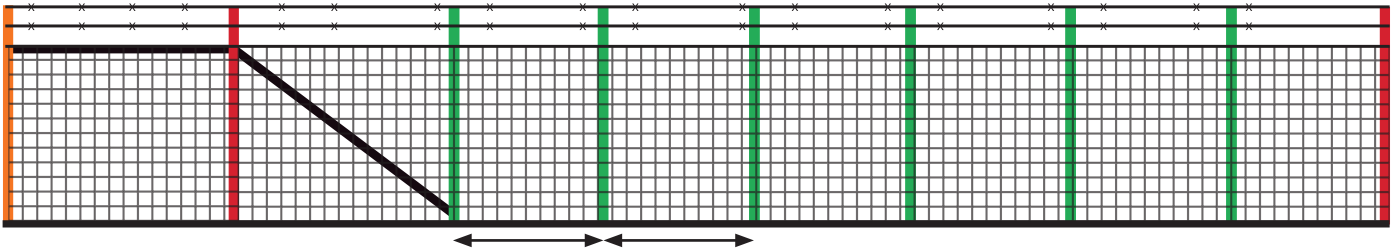
[www.ocloc.com.au](http://www.ocloc.com.au)





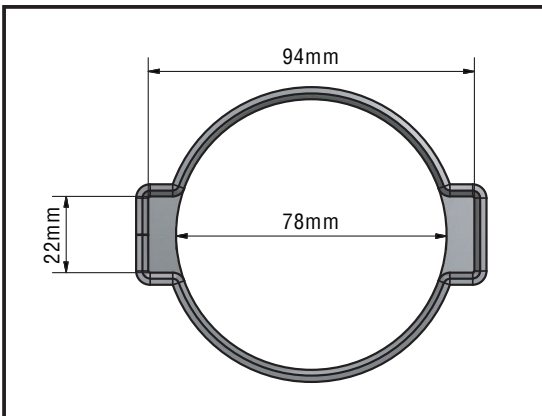
## Kakadu Fencing Systems

Designed and Manufactured in Australia



This diagram is an indication only, Ocloc Kakadu OKA distances between posts from 5-8m.

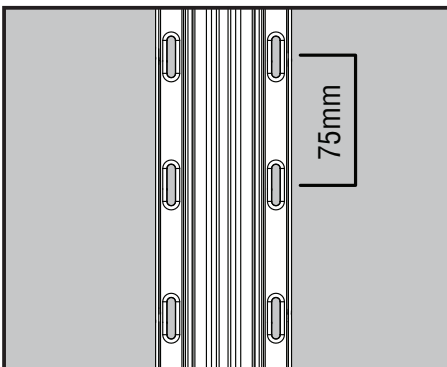
<b>OKA</b>	Fencing Post	<b>OKU</b>	Strainer
<b>OKB</b>	Intermediate	<b>OKW</b>	Large Post
<b>OKAS</b>	Angle Stay		



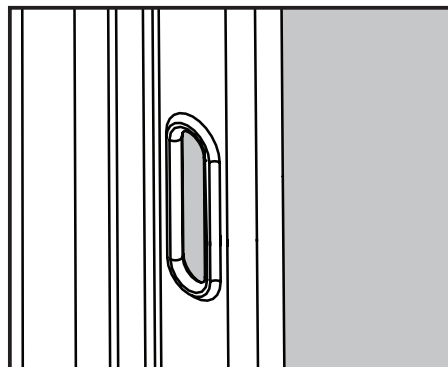
Christie Rammer dimensions.



Christie Rammer.



75mm wire hole spacing.



Rounded wire holes.

Ocloc Kakadu **OKA**  
fencing posts 75mm wire spacing.

**GALFAN** for corrosion resistance.  
More information can be found at:  
[www.galfan.com](http://www.galfan.com)

**Strength:** High tensile steel



Bundles of **200**  
(special request bundles of 100)

Available in several lengths

1.65m - 5.4 feet

1.8m - 6 feet

2.1m - 7 feet

2.4m - 8 feet

2.7m - 8 feet

Ocloc products are carbon neutral — 100% carbon offset — Australian designed and made

Brian O'Malley | Email: [brian@ocloc.com.au](mailto:brian@ocloc.com.au) | Phone: 0424 112 120

Nigel Catt | Email: [nigel@ocloc.com.au](mailto:nigel@ocloc.com.au) | Phone: 0418 832 967



[www.ocloc.com.au](http://www.ocloc.com.au)

