

Kakadu Fencing Systems

Designed and Manufactured in Australia



OKB Post / Picket

Function: Live stock, exclusion and conservation. Barb wire fencing, lane ways and boundaries.

Material: High tensile steel, with flex and return for wildlife or stock impact

Coating: GALFAN Coating 5% Aluminium, Rare Metals, 95% Zinc, the ultimate in corrosive resistant coating

Thickness: 1.8mm thick

Width: 86mm wide post/picket

Length: 1.65m, 1.8m, 2.1m, 2.4m, 2.7m

Wire Holes: Available in 75mm wire hole spacings, suitable for multiple mesh spacing

Special Features:

- Easy to load wire slots for twitching - 300mm x 2.5mm thick
- Internal wire slots are rounded to reduce wire wear
- The profile enhances strength and rigidity in the ground
- **Designed and manufactured in Australia**



Ocloc products are carbon neutral — 100% carbon offset — Australian designed and made

Brian O'Malley | Email: brian@ocloc.com.au | Phone: 0424 112 120
Nigel Catt | Email: nigel@ocloc.com.au | Phone: 0418 832 967



www.ocloc.com.au



Kakadu Fencing Systems

Designed and Manufactured in Australia

Ocloc Kakadu OKB fence post/picket - 75mm wire hole spacings

Function: Stock control

Material: High tensile steel, with flex

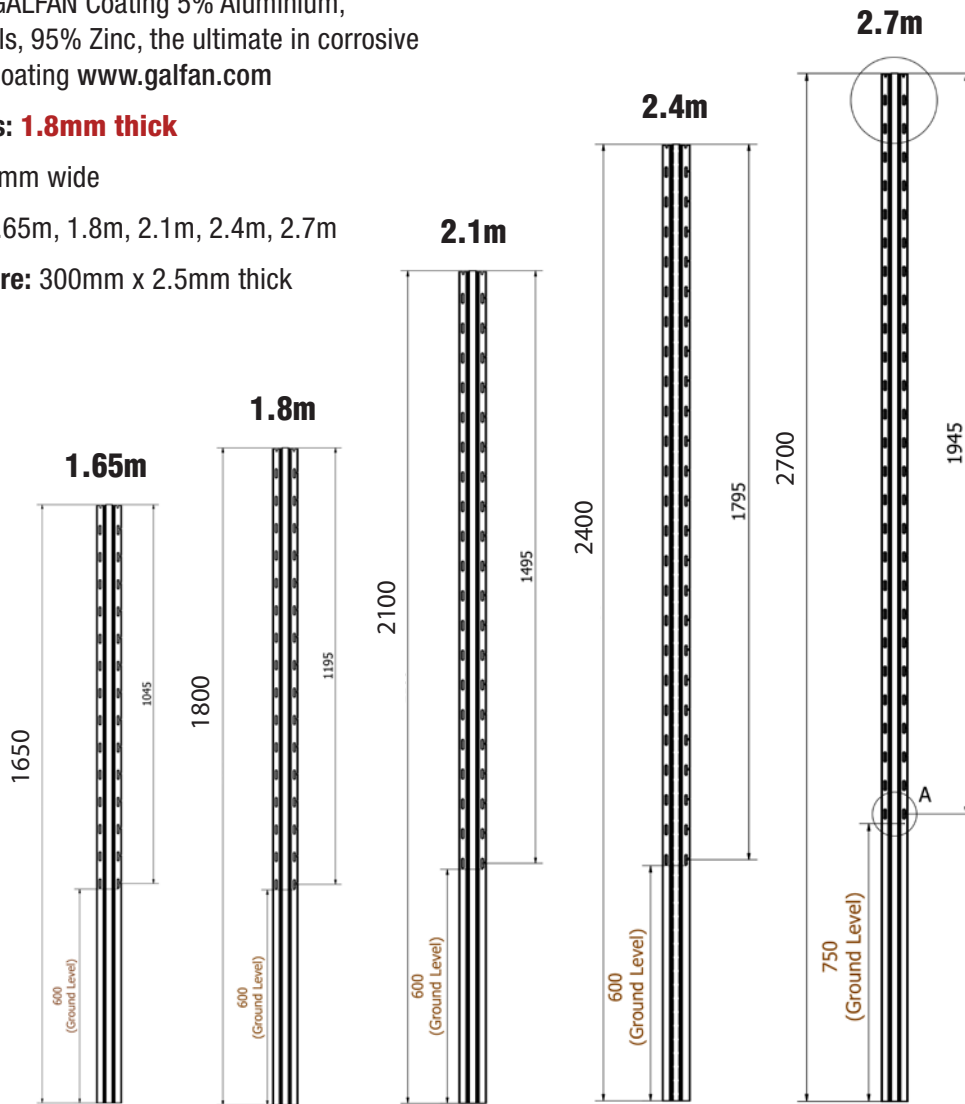
Coating: GALFAN Coating 5% Aluminium, Rare Metals, 95% Zinc, the ultimate in corrosive resistant coating www.galfan.com

Thickness: 1.8mm thick

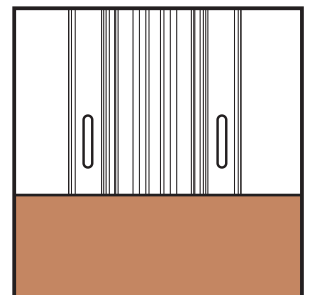
Width: 86mm wide

Length: 1.65m, 1.8m, 2.1m, 2.4m, 2.7m

Twist Wire: 300mm x 2.5mm thick



Lengths of OKB	1.65	1.8	2.1	2.4	2.7
Wire hole numbers at spacings 75mm	14	16	20	24	26



Ground level view bottom wire hole

If there is a feature you need to vary on this product, such as depth, insertion or hole quantities, please send us your drawings.

Ocloc products are carbon neutral — 100% carbon offset — Australian designed and made

Brian O'Malley | Email: brian@ocloc.com.au | Phone: 0424 112 120
Nigel Catt | Email: nigel@ocloc.com.au | Phone: 0418 832 967

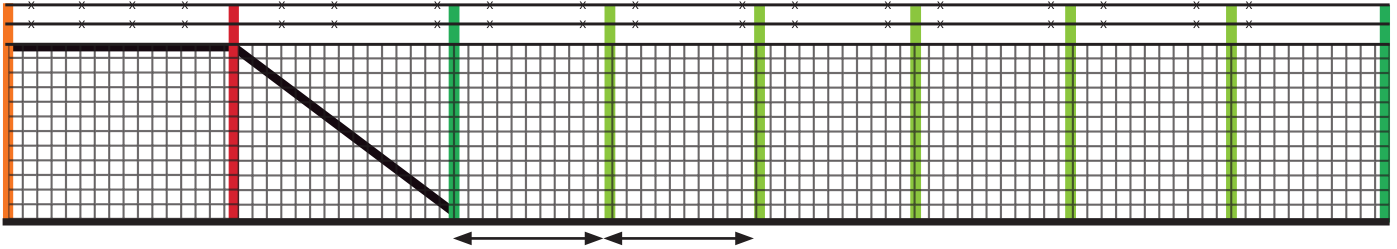


www.ocloc.com.au



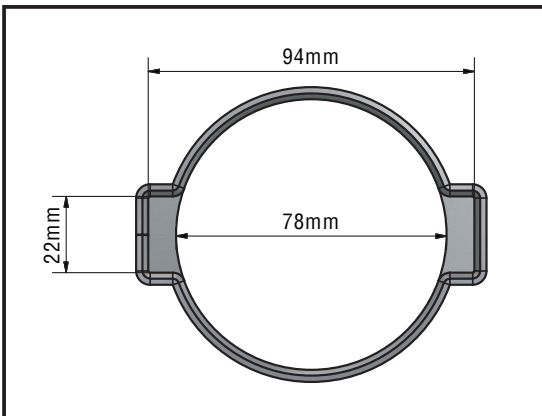
Kakadu Fencing Systems

Designed and Manufactured in Australia



This diagram is an indication only, Ocloc Kakadu OKB distances between posts from 5-8m.

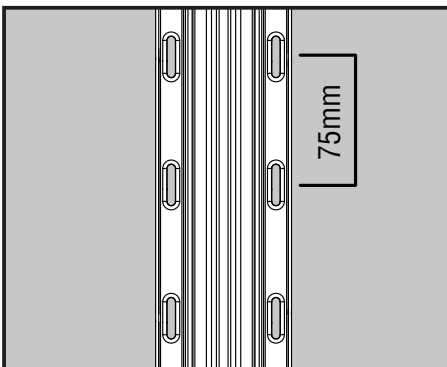
OKA	Fencing Post	OKU	Strainer
OKB	Intermediate	OKW	Large Post
OKAS	Angle Stay		



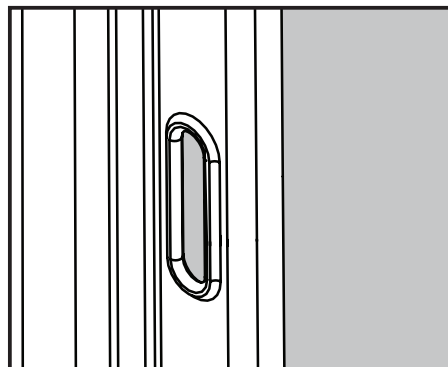
Christie Rammer dimensions.



Christie Rammer.



75mm wire hole spacing.



Rounded wire holes.

Ocloc Kakadu OKB
fencing posts 75mm wire spacing.

GALFAN for corrosion resistance.
More information can be found at:
www.galfan.com

Strength: High tensile steel



Bundles of **200**
(special request bundles of 100)

Available in several lengths

1.65m - 5.4 feet

1.8m - 6 feet

2.1m - 7 feet

2.4m - 8 feet

2.7m - 8 feet

Ocloc products are carbon neutral — 100% carbon offset — Australian designed and made

Brian O'Malley | Email: brian@ocloc.com.au | Phone: 0424 112 120

Nigel Catt | Email: nigel@ocloc.com.au | Phone: 0418 832 967

www.ocloc.com.au

