

Kakadu Fencing Systems

Designed and Manufactured in Australia



OKW Post / Picket

Function: Live stock, exclusion and conservation. Barb wire fencing, lane ways and boundaries. Strengthening post

Material: High tensile steel, with flex and return for wildlife or stock impact

Coating: GALFAN Coating 5% Aluminum, Rare Metals, 95% Zinc, the ultimate in corrosive resistant coating for durability

Thickness: 2.4mm thick

Width: 86mm wide post/picket

Length: 1.65m, 1.8m, 2.1m, 2.4m, 2.7m

Wire Holes: Available in 75mm wire hole spacings, suitable for multiple mesh spacing

Special Features:

- Easy to load wire slots for twitching - 300mm x 2.5mm thick
- Heavy rocky soil strengthening post
- The profile enhances strength and rigidity in the ground
- **Designed and manufactured in Australia**



Ocloc products are carbon neutral — 100% carbon offset — Australian designed and made

Brian O'Malley | Email: brian@ocloc.com.au | Phone: 0424 112 120

Nigel Catt | Email: nigel@ocloc.com.au | Phone: 0418 832 967



www.ocloc.com.au



Kakadu Fencing Systems

Designed and Manufactured in Australia

Ocloc Kakadu OKW fence post/picket - 75mm wire hole spacings

Function: Stock control strengthening post

Material: High tensile steel, with flex

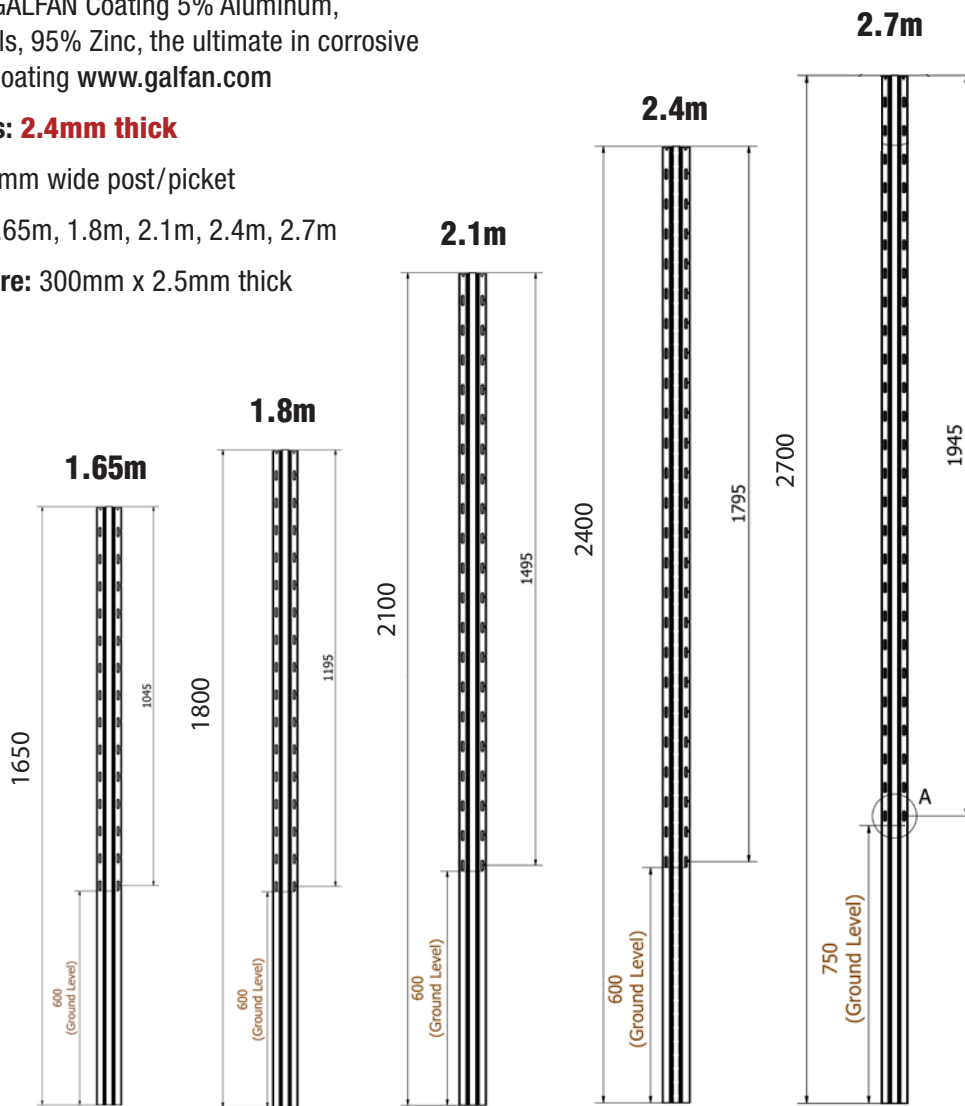
Coating: GALFAN Coating 5% Aluminum, Rare Metals, 95% Zinc, the ultimate in corrosive resistant coating www.galfan.com

Thickness: 2.4mm thick

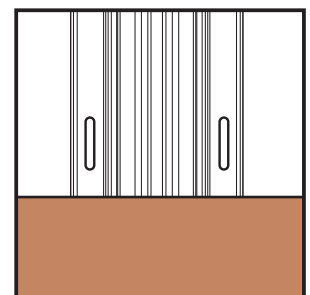
Width: 86mm wide post/picket

Length: 1.65m, 1.8m, 2.1m, 2.4m, 2.7m

Twich Wire: 300mm x 2.5mm thick



Lengths of OKW	1.65	1.8	2.1	2.4	2.7
Wire hole numbers at spacings 75mm	14	16	20	24	26



Ground level view bottom wire hole

If there is a feature you need to vary on this product, such as depth, insertion or hole quantities, please send us your drawings.

Ocloc products are carbon neutral — 100% carbon offset — Australian designed and made

Brian O'Malley | Email: brian@ocloc.com.au | Phone: 0424 112 120

Nigel Catt | Email: nigel@ocloc.com.au | Phone: 0418 832 967

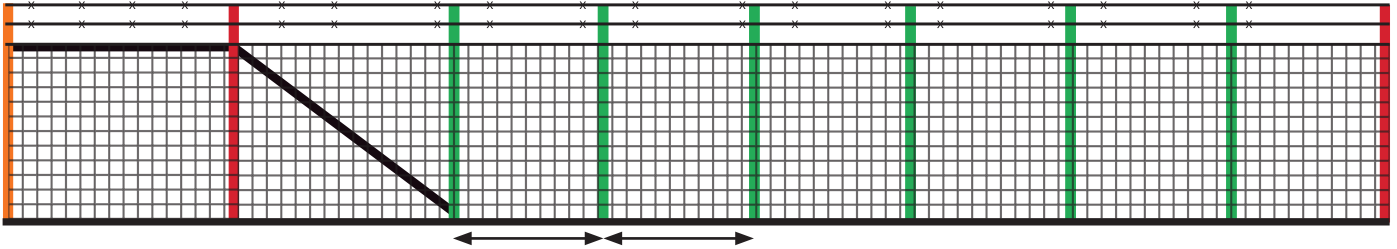


www.ocloc.com.au



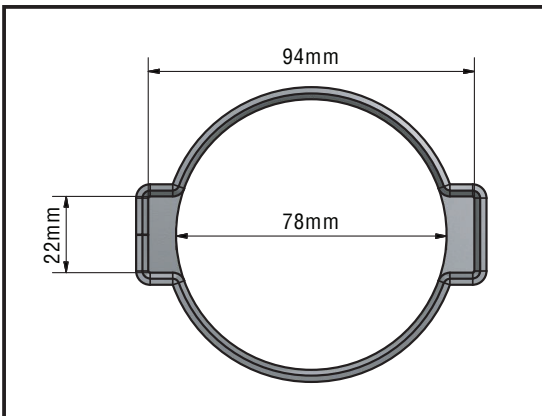
Kakadu Fencing Systems

Designed and Manufactured in Australia



This diagram is an indication only, Ocloc Kakadu OKA distances between posts from 5-8m.

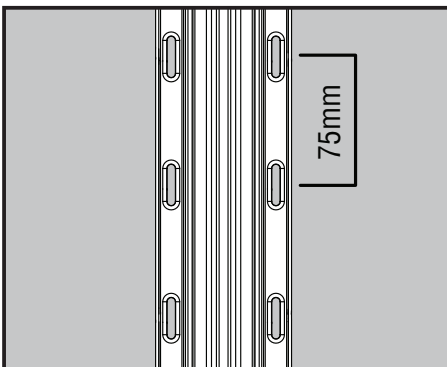
OKA	Fencing Post	OKU	Strainer
OKB	Intermediate	OKW	Large Post
OKAS	Angle Stay		



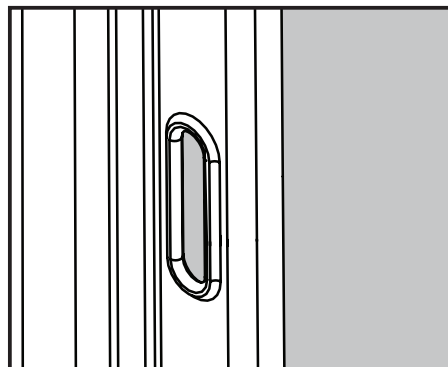
Christie Rammer dimensions.



Christie Rammer.



75mm wire hole spacing.



Rounded wire holes.

Ocloc Kakadu **OKW**
fencing posts 75mm wire spacing.

GALFAN for corrosion resistance.
More information can be found at:
www.galfan.com

Strength: High tensile steel



Bundles of **200**
(special request bundles of 100)

Available in several lengths

1.65m - 5.4 feet

1.8m - 6 feet

2.1m - 7 feet

2.4m - 8 feet

2.7m - 8 feet

Ocloc products are carbon neutral — 100% carbon offset — Australian designed and made

Brian O'Malley | Email: brian@ocloc.com.au | Phone: 0424 112 120

Nigel Catt | Email: nigel@ocloc.com.au | Phone: 0418 832 967

www.ocloc.com.au

