

Ocloc™ S Strainer

Your Vineyard's Future



Ocloc[®] A or W

Ocloc A Trellis post, 1.8mm thick, Ocloc W, 2.4mm thick, high tensile Galvan coated steel, rounded slots for wire protection.

Ocloc[™] S

Ocloc S strainer, functional & strong made of 3mm high tensile Galvan coated steel 2.2m long.

The Ocloc trellis system delivers long term, economical and environmental solutions. Australian made and Galvan protected.



For further details please contact

Ocvitti Australia
Nigel Catt 0418 832 967
Brian O'Malley 0424 112 120

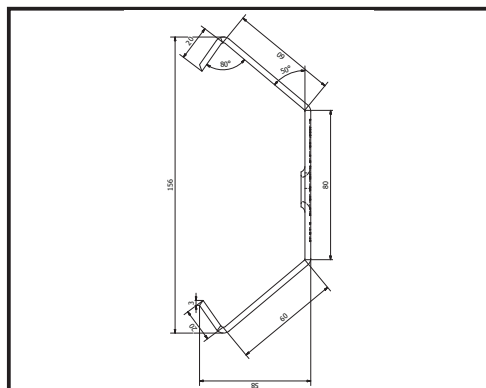
Visit us at www.ocloc.com.au

Admin@ocloc.com.au
nigel@ocloc.com.au
brian@ocloc.com.au

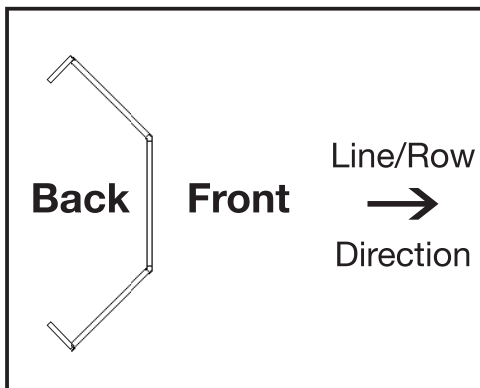


Ocloc™ S Strainer

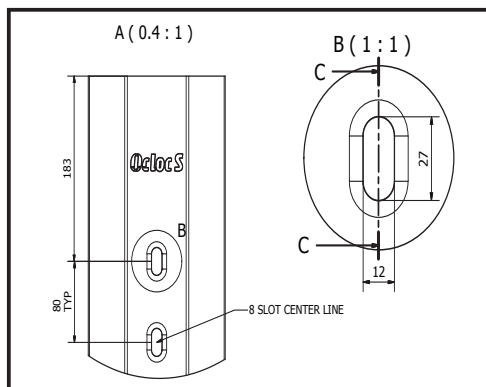
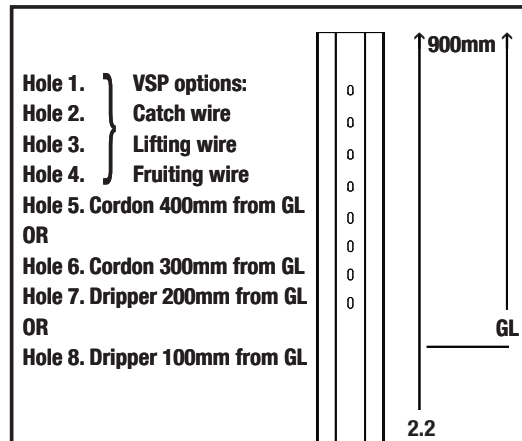
Your Vineyard's Future



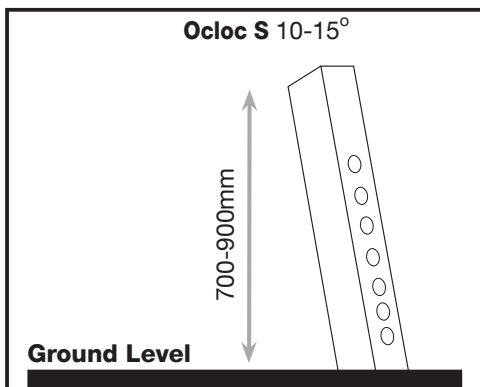
Profile diagram



Ocloc S line/row direction



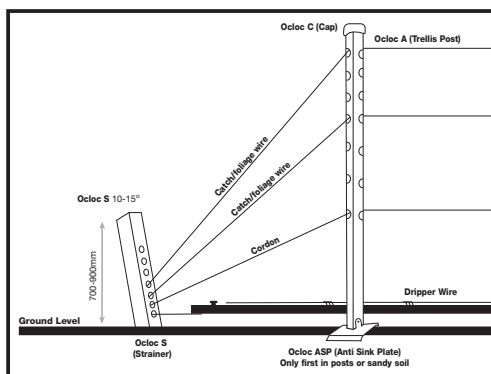
8 Total slots at 80mm spacing on centre line



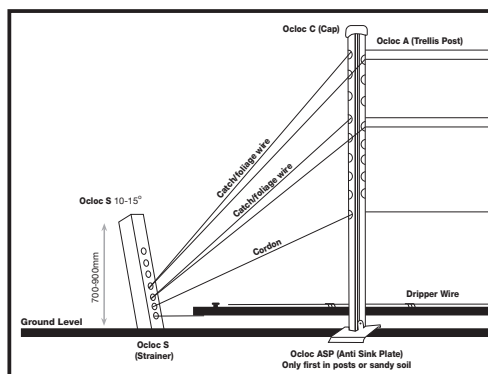
Set Ocloc S at 10-15°



Example of incorrect attachment



TWS Ocloc System



VSP Ocloc System

- Wire Hole Spacings 8 holes 80mm to centre. Hole size 27mm long x 12mm wide.
- Function: End of row strainer/assembly. New developments and strainer replacement.
- Material Specifications: GALFAN G450 high tensile steel 3mm thick.



For further details please contact

Ocvitti Australia
 Nigel Catt 0418 832 967
 Brian O'Malley 0424 112 120

Admin@ocloc.com.au
 nigel@ocloc.com.au
 brian@ocloc.com.au

Visit us at www.ocloc.com.au

