

Ocloc products are carbon neutral — 100% carbon offset —



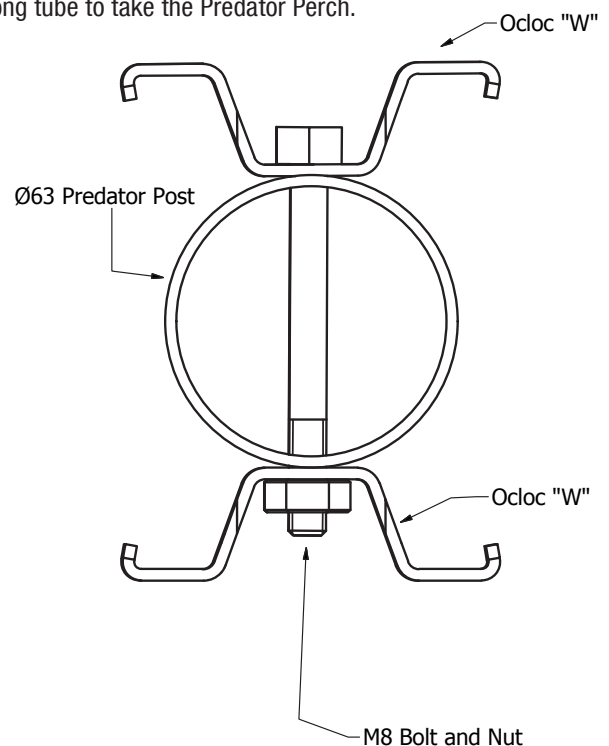
The **Ocloc Predator Perch** is positioned close to the vineyard and a water aspect. The concept of the predator perch is to attract predator birds to your vineyard. The Predator Perch can be observed from the cellar door at Gemtree Wines, McLaren Flat.

INSTALLATION STEPS

INSTALLATION INSTRUCTIONS

STEP 1 Preparing the ramming procedure Aerial profile diagram of the **OPP**

We are joining 2 **Ocloc W**'s to a short sacrificial tube using 3 bolts. The tube should be higher than the **W**'s for ramming. The procedure will be to ram into the ground this combination. We then remove the short tube and the bolts and replace with a long tube to take the Predator Perch.



Ocloc products are carbon neutral — 100% carbon offset —

INSTALLATION INSTRUCTIONS

STEP 2

Joining the 2 **Ocloc W's** to the short sacrificial tube, with a ratchet driver. Bolts are M10 90mm.



STEP 3

Shane Irvine from Gemtree holding the assembly, please note that the tube is proud of the Ocloc W's (for ramming)



STEP 4

Using a spirit level and your eye to get as close to vertical as possible.



STEP 5

Ramming the predator post in 1.3 meters.



STEP 6

Once in the ground we are undoing the bolts that are destroyed.



STEP 7

Remove the short tube.



STEP 8

Insert the longer pole with a new bolt, in the middle hole so it becomes a hinge.



STEP 9

Secure the perch with bottom bolt and top bolt.



STEP 10

The perch has a cylinder which you can bolt onto the top of the tube.



Ocloc products are carbon neutral — 100% carbon offset —

INSTALLATION INSTRUCTIONS

How to make your Predator Perch Head Assembly

STEP 1

The predator perch is trying to simulate birds perching in nature. You will need to find a natural piece of wood (no chemicals).




STEP 2

The branch shape should be reasonably flat and then elevate on the left or right hand side. The flat part of the branch needs to be longer than 250mm.



STEP 3

Place the metal bracket  over the wooden branch, mark where the hole corresponds to the wood and pre drill a pilot hole. Drive the batten screw into the branch through the holes indicated.



STEP 4

Bolt the bracket onto the platform.



STEP 5

Affix the branch onto the platform.



STEP 6

The batten screw will need to be angle grinded to the remove the sharp screw tip so the wood becomes smooth. It is now ready to attach to the pole.

