

Ocloc™ AK

Ocloc A post combined with Ocloc K self releasing clip

Total Trellis Systems Manufactured in Australia



Ocloc A trellis post

- Thick high Tensile steel
- 90mm wide to alleviate vine crowding.
- Premium Galfan coating for corrosion resistance.
- Unique profile to enhance strength and ground rigidity.
- Ocloc A is strong and robust for all vineyard mechanical procedures.
- Quick and easy to install.
- No laborious and dangerous staples
- Australian designed, made and owned.

Ocloc K vertical wire release system or clip

Ocloc K is designed for individual grower requirements including a specifically designed release system for mechanical cane pruning.

- Ocloc K slots into the Ocloc A wire hole then secured using the screw supplied.
- Ocloc K is made from high grade Amidene AM100 BK050 PA6/6 Black Nylon with added carbon for extended UV protection



Henschke's Vineyard Keyneton SA

Ocloc products are carbon neutral — 100% carbon offset —



For further details please contact

Ocvitti Australia
Nigel Catt 0418 832 967
Visit us at www.ocloc.com.au

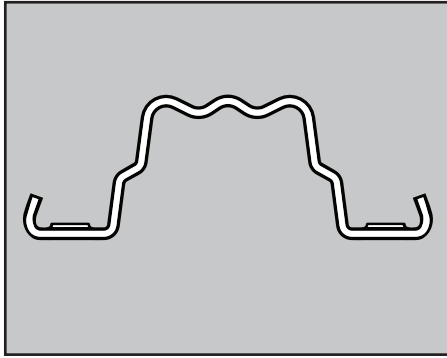
Admin@ocloc.com.au
nigel@ocloc.com.au



Ocloc™ AK

Ocloc A post combined with Ocloc K self releasing clip

Total Trellis Systems



Curved edges to protect mechanical picking rods & pruning knives.



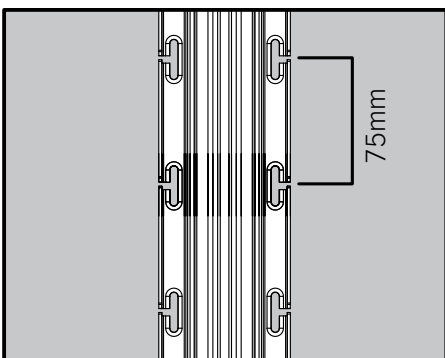
Metal netting cap.



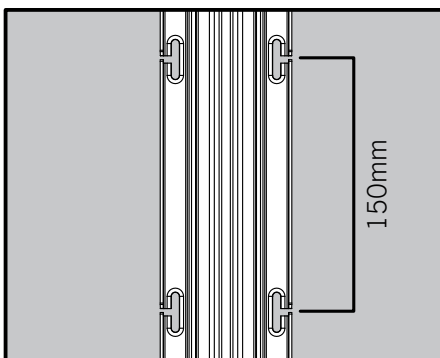
Ocloc 'K' clip.



Ocloc 'K' clip being attached.



75mm wire hole spacing.



Ocloc 'K' clip being attached.

Ocloc A

- Premium Galvan coating for longevity www.galfan.com
- Supplied in bundles of 200 weighing 1 tonne
- Made in 75 & 150 mm wire spacings but can be varied for individual needs
- Ocloc A is made in various lengths 1.8m, 2.1m 2.4m and 2.7m

Ocloc K

- Ocloc K is clipped into the wire hole and secured with the screw supplied.
- Easy, quick and simple to install
- Ocloc K can be utilised in hand lifting or mechanical release requirements.

1.8m - 6 feet

2.1m - 7 feet

2.4m - 8 feet

2.7m - 8 feet

