

Ocloc™ AK

Ocloc A post combined with Ocloc K self releasing clip

Total Trellis Systems Manufactured in Australia



Ocloc A trellis post

- **1.8mm thick G450** High tensile steel
- **GALFAN Coating** 5% Aluminium, Rare Metals, 95% Zinc, the ultimate in corrosive resistant coating
- **86mm wide** to alleviate vine crowding
- **Unique profile** to enhance strength and in ground rigidity
- **Robust design** for barrel pruning and machine harvesting
- **Australian designed, made and owned**

Ocloc K vertical wire release system or clip

Ocloc K is designed for individual grower requirements including a specifically designed release system for mechanical cane pruning.

- **Ocloc K** slots into the **Ocloc A** wire hole then secured using the screw supplied
- **Ocloc K** is made from high grade Amidene AM100 BK050 PA6/6 Black Nylon with added carbon for extended UV protection



Henschke's Vineyard Keyneton SA

Ocloc products are carbon neutral — 100% carbon offset —



For further details please contact

Ocvitti Australia
Nigel Catt 0418 832 967
Visit us at www.ocloc.com.au

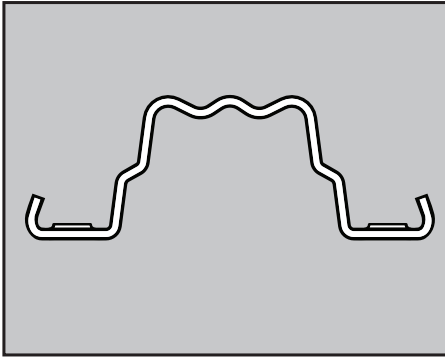
Admin@ocloc.com.au
nigel@ocloc.com.au



Ocloc™ AK

Ocloc A post combined with Ocloc K self releasing clip

Total Trellis Systems



Curved edges to protect mechanical picking rods & pruning knives.



Ocloc NSC - Netting Spray Cap.

Ocloc A

- Premium Galfan coating for longevity www.galfan.com
- Supplied in bundles of 200 weighing 1 tonne
- Made in 75 & 150 mm wire spacings but can be varied for individual needs
- **Ocloc A** is made in various lengths 1.8m, 2.1m 2.4m and 2.7m



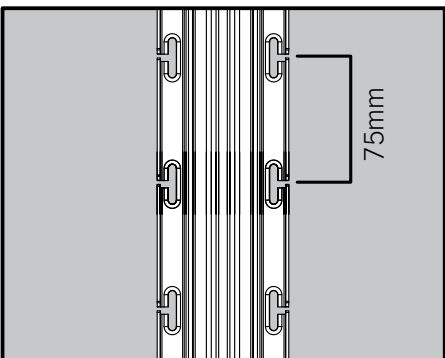
Ocloc 'K' clip.



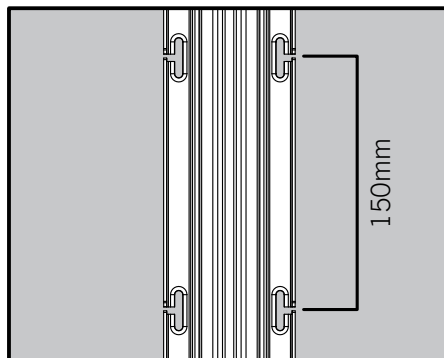
Ocloc 'K' clip being attached.

Ocloc K

- **Ocloc K** is clipped into the wire hole and secured with the screw supplied
- Easy, quick and simple to install
- **Ocloc K** can be utilised in hand lifting or mechanical release requirements.



75mm wire hole spacing.



Ocloc 'K' clip being attached.

1.8m - 6 feet	2.1m - 7 feet
2.4m - 8 feet	2.7m - 8 feet

